



To the casual reader, the following passage (Ezekiel 43:10-12) appears redundant. That's because it is a profound statement, written in code. This booklet is an attempt to decode this "INNER" LAW or LAW OF THE HOUSE:

"Thou son of man, shew the house to the house of Israel, that they may be ashamed of their iniquities: and let them measure the pattern. And IF they be ashamed of all that they have done, shew them the form (DESIGN) of the house and the fashion (STRUCTURE) thereof, and the goings out (EXITS) thereof, and the comings in (ENTRANCES) thereof, and all the forms (DESIGNS) thereof, and all the ordinances (STATUTES) thereof, and all the forms (DESIGNS) thereof, and all the LAWS thereof; and write it in their sight that they may keep the whole form (DESIGN) thereof, and all the ordinances (STATUTES) thereof, and do them. This is the **LAW OF THE HOUSE** ("inner" law)..." A pattern of God's Temple in heaven was shown to Moses (Hebrews 8:2-5, 9:24, Revelation 11:19) for him to duplicate as a visual aid to Israel. Your body is God's temple now. The "inner" law is the guidance system promised in Jeremiah 31:33. If you follow the Spirit, you **will** move from repentance to rest according to the pattern of the Tabernacle.

First, consider the **STRUCTURE** \* of the Tabernacle. It had 3 chambers. So do you. You have a body, soul and spirit. That's because you were made in the image of a tri-une God. God has a body (Jesus), a soul (the Father), and a spirit (the Holy Spirit).

The first word used for God is **Elohim** (plural form of El) (Genesis 1:1). This refers to God's **Spirit**.

In Exodus 3:14, the verb "HYH" (also written as "HVH" ) is used twice to say "I am that I am." This is the basis of the Holy Name **YHVH** ("Yehovah," "Jehovah," or "Yahweh"), translated "**Lord**," who Jesus claimed to be in **bodily** form, enraging the Pharisees (John 8:58).

God is love (1 John 4:8). That is the nature of His will (**soul**). **Adonai**, (translated "**Lord**") refers to the Father nature of God. Since it is the soul of man that determines his destiny, men are also called adonai (translated "lord") in scripture. This 3-in-1 nature (1 John 5:7) is expressed in the New Testament by the title "Lord Jesus Christ" (Father, Son, Holy Spirit). This is the N.T. revelation of the God of Abraham (Father), Isaac (Son) and Jacob (Holy Spirit).

Next consider the 13 **EXIT/ENTRANCE** \*\* door pillars to the Tabernacle. There are 13 "**I Am**" Names of God in the Old Testament (See page 9 for a listing of the Names of God in the Old Testament.) There were 4 gate pillars to the Outer Court, 5 door pillars to the Holy Place and 4 door pillars to the Holy of Holies. All the other pillars around the Tabernacle can also represent Names of God because our God has made Himself to be

The rest of this booklet is an examination of the necessary garments and the 7 pieces of furniture within the Tabernacle, their **DESIGN** and the **STATUTES** and **LAWS** that pertain to them.

## 13 Old Testament "I Am" Names of God

(there were 13 door pillars—Exodus 26:32, 37, 27:16)

I am the Lord **your Healer** (Anee **YHVH** Raphakenu)--Exodus 15:26  
 I am the Lord **who Sanctifies you** (Anee **YHVH** Meqadoshkim)--Leviticus 20:8  
 I am the Lord **your Savior & Redeemer, Mighty One of Jacob**  
 (Anee **YHVH** Meshuack vi Gaalim, Abiyir Ish Yaqob)--Isaiah 49:26, 60:16  
 I am the Lord **your Holy One, Creator of Israel, your King**  
 (Anee **YHVH** Qadoshkim, Bara Yisrael, Melekim--Isaiah 43:15  
 I am **He** (Anee Hiy) (*NOT she!*)—Isaiah 43:10,15, 48:12  
 I am your **Shield** (Anoke Mogen)--Genesis 15:1  
 I am the **First & I am Last** (Anee Rishon, vi anee Acharon)--Isaiah 44:6, 48:12  
 I am your **Part & your Inheritance** (Anee Cheleqek vi Nachalahek)--Numbers 18:20  
 I am the **Rose of Sharon, the Lily of the Valleys**--Song of Solomon 2:1  
 (Anee Chabatsseleth ha Sharown, ha Showshanat Emeqim)  
 I am **God Almighty** (Anee **EL** Shaddai)--Genesis 17:1  
 I am **God of the House** (Anoke ha **EL** Bethel)--Genesis 31:13  
 I am **God of Israel** (Anee **EL** Yisrael)--Psalm 68:35  
 I am **God of your fathers, Abraham ("fathers") God of Isaac ("laughter")**  
**God of Jacob ("hanging on")**--Exodus 3:6  
 (Anee Abiyek **ELOHE** Avraham, **ELOHE** Yitschaq, **ELOHE** Yaqob)

## 48 Other Old Testament Names of God

(the Holy Places were made with 48 boards—Exodus 26:18-25)

Ancient of Days (Daniel 7:9)  
 Anointed of the Lord (Psalm 2:2)  
 Arm of the Lord (Isaiah 51:9)  
 Branch (Zechariah 3:8)  
 Captain of the Host of the Lord (Joshua 5:14)  
 Cornerstone (Psalm 118:22, Isaiah 28:16)  
 Covenant of the People (Isaiah 42:6)  
 Creator of the Ends of the Earth (Isaiah 40:28)  
 Creator of the Heavens (Isaiah 45:18)  
 Deliverer (2 Samuel 22:2, Psalm 144:2)  
 Desire of all Nations (Haggai 2:7)  
 Despised One (Isaiah 49:7)  
 Ensign of the People (Isaiah 11:10)  
 Everlasting Father (Isaiah 9:6)  
 Fortress (2 Samuel 22:2, Psalm 18:2...)  
 Fountain of Living Waters (Jeremiah 17:13)  
 High Tower (Psalm 144:2)  
 Hope of Israel (Jeremiah 17:13)  
 Horn of Salvation (Psalm 18:2)  
 Judge of all the Earth (Genesis 18:25)  
 Judge of Israel (Micah 5:1)  
 King (Zech. 9:9) of Glory (Ps. 24:7) of Zion (Ps. 149:2)  
 Leader & Commander (Isaiah 55:4)  
 Light of the Gentiles (Isaiah 42:6) of Israel (Isaiah 10:17)  
 Maker (Isaiah 45:9, 51:13, 54:5...)  
 Man of Sorrows (Isaiah 53:3)  
 One Abhorred by the Nations (Isaiah 49:7)  
 Preserver (or Watcher) of Men (Job 7:20)  
 Prince of Peace (Isaiah 9:6)  
 Prophet (Deuteronomy 18:15)  
 Refiner & Purifier (Malachi 3:3)  
 Righteous Servant (Isaiah 53:11)  
 Rod of the Stem of Jesse (Isaiah 11:1)  
 Root of Jesse (Isaiah 11:10)  
 Ruler in Israel (Micah 5:2)  
 Savior (Isaiah 45:21)  
 Scepter out of Israel (Numbers 24:17)  
 Seed of the Woman (Genesis 3:15)  
 Servant (Isaiah 42:1 53:1...) of Rulers (Isaiah 49:7)  
 Shepherd of Israel (Psalm 80:1)  
 Son of Man (Psalm 8:4)  
 Star of Jacob (Numbers 24:17)  
 Strength of Israel (1 Samuel 15:29)  
 Stone (Daniel 2:45, Isaiah 28:16)  
 Sun of Righteousness (Malachi 4:2)  
 Witness (Isaiah 55:4)  
 Wonderful Counselor (Isaiah 9:6)  
 The ROCK (Deut. 32:4, 13, 15, 18, 31, Psalm 18:2...)

# TABERNACLE STRUCTURE: Pillars and Boards

## 52 Old Testament Titles using Adonai, Yehovah and El

(there were 52 pillars, besides the 4 gate pillars, used to support the Tabernacle curtains--Exodus 27:9-16)

**God, the Father**

- ADONAI - -----Lord--first occurrence in Gen. 15:1
- Adonai Adown -----Lord of Lords--Deuteronomy 10:17, Psalm 136:3
- Adonai Yehovah Tsabaat -----Lord God of Hosts--Psalm 69:6
- Adonai T'shuahat-----Lord my Salvation--Psalm 38:22
- Magen Adonai-----Shield Lord--Psalm 59:11

**God, the Son**

- YEHOVAH ("YHVH")\*-----Lord--first occurrence in Genesis 2:4
- Hayah Hayah -----I Am who I Am (emphatic form)--Exodus 3:14
- Yehovah Adon kol ha-Erets -----Lord God of all the Earth--Joshua 3:11
- Yehovah El Elyon/Eloheka-----Lord Most High/your God--Ps. 7:17, Dt. 11:1
- Yehovah EloheTsabat -----Lord God of Hosts--Jeremiah 15:16
- Yehovah Elohe Yisrael-----Lord God of Israel--Psalm 41:13
- Yehovah El Gemuwlah -----Lord God of Recompenses (benefits)--Jer. 51:56
- Yehovah Elohe Yeshathi-----Lord God our Salvation--Psalm 88:1
- Yehovah Nicci (*an altar*)-----Lord our Banner--Exodus 17:15
- Yehovah Meginnu -----Lord our Defense--Psalm 89:18
- Yehovah Qanna -----Lord of Jealousy (Possessive)--Exodus 34:14

**Yehovah Shaphat\*\*-----Lord our Judge--Isaiah 33:22**

**Yehovah Melek\*\*-----Lord our King--Isaiah 33:22**

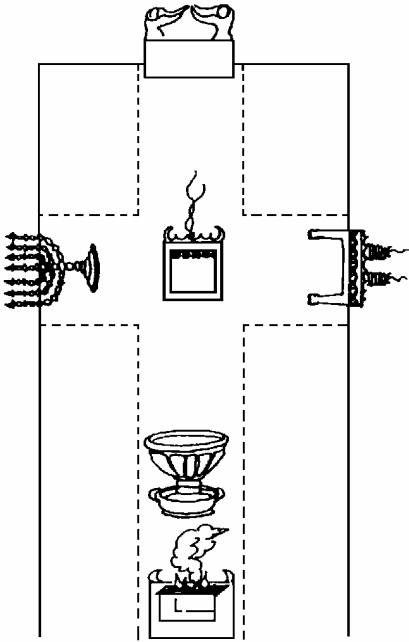
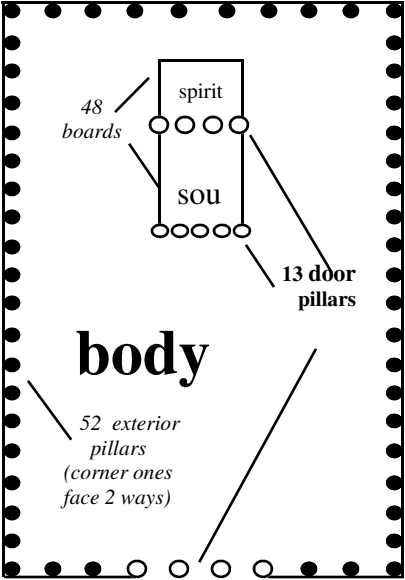
**Yehovah Chaqaq\*\*-----Lord our Lawgiver--Isaiah 33:22**

- Yehovah Ori -----Lord our Light--Psalm 27:1
- Yehovah Asahnu -----Lord our Maker--Psalm 95:6
- Yehovah Shalown (*an altar*) -----Lord our Peace--Judges 6:24
- Yehovah Yireh (*an altar*)-----Lord our Provider--Genesis 22:14
- Yehovah Tsidkenu -----Lord our Righteousness--Jeremiah 23:6
- Yehovah Raah-----Lord our Shepherd--Psalm 23:1
- Yehovah Oz-----Lord our Strength--Psalm 28:7
- Yehovah Shammah -----Lord of Here--Ezekiel 48:35

**God, the Holy Spirit**

- ELOHIM (El/Elohe) -----God--first occurrence in Genesis 1:1
- El El (Elohe/Elohim)-----God of Gods--Daniel 11:36, Deut. 10:17
- El Elyon -----God Most High--Genesis 14:18...
- Elohe ha 'Erets -----God of the Earth--Genesis 24:3
- Elohe Qedem -----God Eternal--Deuteronomy 33:27
- El Olam -----God Everlasting--Genesis 21:33
- El Simchah Giyl -----God of Exceeding Joy--Psalm 43:4
- El Kabowr -----God of Glory--Psalm 29:3
- El Gadowl -----God of Greatness--Psalm 95:3...
- El Shamayim -----God of Heaven--Gen. 24:3, Psalm 136:26
- El Qadosh-----God of Holiness--Isaiah 5:16
- El Qanna -----God of Jealousy--Nahum 1:2, Ex. 20:5, 34:14
- El Tsaddiyq -----God of Righteousness--Isaiah 45:21
- El De'ah -----God of Knowledge--1 Samuel 2:3
- El Chay (*Chi*)-----God of Life--Joshua 3:10
- El Gibbowr -----God of Might--Isaiah 9:6, 10:21, Jer. 32:18
- El Cela'-----God my Rock--Psalm 42:9
- El Tsur-----God our Rock (Refuge)--Psalm 78:35
- El Mowsha'ah -----God of Salvation (Deliverance)--Ps. 68:20
- El Yeshuwah -----God of Salvation--Psalm 68:19, Isaiah 12:2
- Elohim 'Oz/Mauzi -----God of Strength--Psalm 81:1, 43:2
- El /Elohe Emunah/Aman ---- God of Truth (Faithfulness)--Dt. 32:4, Is. 65:16
- El Ro'iy -----God who Sees--Genesis 16:13
- Immanu EL-----Within us God--Isaiah 8:10

*\*Ancient Hebrew was written without vowels. They were added later.  
\*\*This is the Biblical structure (judicial, executive & legislative) that the*

<p><b>*STRUCTURE</b> 3 Rooms (Ex. 36:33-37) In the <b>Outer Court</b> (which represents the physical realm), we examine the <b>statutes and laws</b> of the Bronze Altar of Burnt Offering, the Bronze Laver and the Garments put on in the Outer Court (dealing with our fleshly nature).</p> <p>In the <b>Holy Place</b> (which represents the soulical realm), we look at the <b>statutes</b> and the <b>design</b> of the Golden Lampstand, the Table of Shewbread and the Altar of Incense (dealing with our soul: mind, will &amp; emotions).</p> <p>In the <b>Holy of Holies</b> (which represents the spiritual realm), we look at the <b>statutes, laws and design</b> of the Ark of the Covenant with the Mercy Seat resting upon it (dealing with the testimony of God within our spirit).</p> <p>The 7 pieces of Tabernacle</p>	<p>"Know ye not that ye are the temple of God, and that the Spirit of God dwelleth in you?" (1 Corinthians 3:16)</p>  <p style="text-align: center;"><b>Tabernacle Furniture</b> (not drawn to scale)</p>	<p><b>**EXITS/ENTRANCES</b> (Exodus 26:32,37 and 27:10-16)</p>  <p style="text-align: center;"><b>body</b></p> <p style="text-align: center;">52 exterior pillars (corner ones face 2 ways)</p>
<p>"And the very God of Peace sanctify you wholly, and I pray God your whole <b>spirit and soul and body</b> be preserved blameless unto the coming of our Lord Jesus Christ." (1 Thessalonians 5:23)</p>		
<p>"The secret things belong unto the Lord our God, but those things which are revealed belong unto us and to our children forever, that we may</p>		

The Bronze Altar of Burnt Offering represents REPENTANCE. It is where you realize you are a selfish creature, worthy of death, and that God became human to die on a cross for you. As it is manifested to you, each selfish tendency (sin) that you were born with is renounced here. This altar was large enough for all the other furnishings to fit into it. That's because Jesus's sacrificial death (the ONE baptism for all time-Luke 12:50, John 19:30), provides all you need. If you never go beyond the Bronze Altar, you are still "saved." The six more pieces of Tabernacle furniture indicate that the "new birth" experienced after "dying with Christ" is like any other birth, not an end, but a beginning.

On the right are the offerings that were made at the Bronze Altar and, on the left, what they represent. No **blood** offering was acceptable without a **bread** offering. In other words, all the **actions (blood offerings)** below are not acceptable without a right **attitude (bread offering)**.

**Actions (Works)**

- I. **Repentance from dead works** represented by
  - A. "Dying" to self (Romans 8:36)
    - 1. individually (1 Corinthians 15:31)
    - 2. corporately (Hebrews 10:25, 1 John 3:16)
    - 3. to be set apart (Acts 13:2)
  - B. Renouncing your sins (Matthew 3:2,8, 1 John 1:9)
    - private confession to Jesus (giving sins to Him)
  - C. Confession & restitution to *others* (Luke 19:8)
  - D. Showing gratitude to God (Hebrews 12:28-29)
    - 1. with your attitude (1 Thessalonians 5:18)
    - 2. with your resolve (Acts 18:18)
    - 3. with your mouth (Colossians 3:16)
    - 4. with your arms-surrendering to serve (1 Tim. 2:8)
    - 5. with your legs-uprooted to go (Luke 6:23)
    - 6. with "first of your dough" (Ezekiel 44:30)

**LAWS & STATUTES**

- 4 BLOOD OFFERINGS:**
- BURNT OFFERINGS\* (Leviticus 1)**
  - Daily Flesh Offering (morning & evening) (Numbers 28:3-4)
  - Weekly Offerings (51 sabbaths, 12 new moons, 7 feasts) (Numbers 28)
  - Ordination Offering (Numbers 8:11)
- SIN OFFERINGS (Leviticus 4)**
  - Atonement Offering (Leviticus 16:21-22)
- TRESPASS (GUILT) OFFERINGS (Leviticus 5-6)**
- PEACE OFFERINGS (Leviticus 3)**
  - Thanksgiving ("todah" praise) offerings (Leviticus 7:11-15)
  - Votive (vow) offerings (Numbers 6, Deut. 23:21-22, Leviticus 7:16, 27:2)
  - Freewill offerings (Leviticus 22:18, Psalm 119:108, Deuteronomy 16:10)
  - Wave ("shake") breast offerings (Exodus 29:27, Leviticus 10:14)
  - Heave ("lift") shoulder (thigh) offerings (Leviticus 10:15, Numbers 15:19-21)
  - The Tithe\*\* (Genesis 14:20, Num. 15:21, Deut. 12:11-18, Malachi 3:10)

"I beseech you therefore, brethren, by the mercies of God, that ye present your **bodies** a living sacrifice, holy, acceptable unto God which is your reasonable service." (Romans 12:1)

"Then answered the Lord unto Job out of the whirlwind and said: `...Deck thyself now...and array thyself...look on everyone that is proud and bring him low; and TREAD DOWN THE WICKED IN THEIR PLACE. Hide them in the dust...**BIND** their faces in secret. Then I will confess unto thee that THINE OWN RIGHT HAND (*the power delegated unto you*) CAN SAVE THEE.'" (Job 40:6,10,12-14)

**\*The 2 Cherubim**

represent the 2 Anointed Ones (Zechariah 4:14) who are Covenant Guardians: The Holy Spirit & Jesus

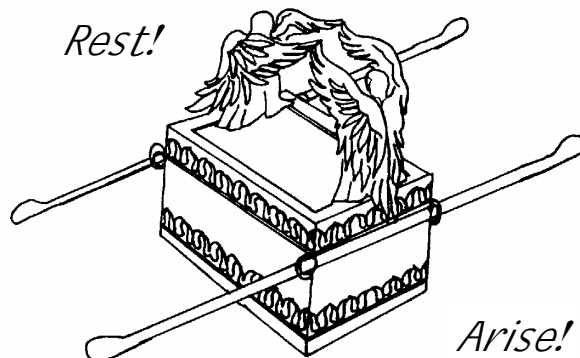
**1. Covenant of Grace:** salvation (Genesis 6:17-18) by *grace* (Ephesians 2:8) to Noah & all creation sealed with a rainbow (a manifestation of the 7-fold **Holy Spirit of Grace**).

**2. Covenant of Peace:** an inheritance (Genesis 15:18) to Abraham & his seed, sealed with circumcision (dying with **Christ, Our Peace**-Ephesians 2:14-17, Micah 5:5).

Outside the Tabernacle, Grace and Peace are represented by **2 Silver Trumpets** (Numbers 10:2-10) used to call and send forth the people.

(Notice that the Apostle Paul begins every letter he wrote with "**Grace & Peace...**" and ends every letter he wrote with "**Grace...**")

**Mercy Seat (resting on the Ark)**  
(Exodus 25:17-22)



**Ark of the Covenant**

(Exodus 25:10-16,21-22, 26:33-34, 30:6,26, 31:7, 35:12, 37:1,5, 39:35, 40:3,5,20-21, Leviticus 16:2, Numbers 3:31, 4:5, 7:89, 10:33,35,36, 14:44, 31:9,25-26, Deuteronomy 10:1-8, Revelation 11:19)

**\*\*10 Ruler spirits**

inhabited the land given to Abraham in Genesis 15:19-21. They are called by many different descriptive names in scripture, as in Psalm 55:9-15 and Job 5:1-12, because God does **not** want us to get familiar with them. In fact, His Word **forbids** taking their names upon our lips (Exodus 23:13). Therefore, knowledge of the 10 Commandments is all that is necessary to bind them.

(These 10 spirits are also in mythology. Paul says that "gods" are demon spirits in 1st Corinthians 10:20. They are the fallen angels of Jude 6, 2 Peter 2:4 and

A priest who bears the Ark (the testimony of God) without walking **in unison** with 7 other priests is taking his life in his hands. (2 Samuel 6:3-7, Exodus 25:14, Numbers 3:31, 10:21, **1 Chronicles 15:11-15**)

The garments of the High Priest represent the POWER or divine ability given to a saint that qualifies him to enter into the Holy Place (effectual service) and the Holy of Holies (the supernatural rest of God). This is being "clothed" with power from on high. Eight garments were **put on** the High Priest (Leviticus 8:7-9) **after** he was washed and **before** he was anointed with blood and oil. He was already wearing linen breeches (Exodus 28:42-43) to cover his nakedness.\* When Jesus breathed upon His disciples and gave them power to forgive sins (John 20:22-23), **He made them priests** and they had the first 4 garments put upon them. However, He instructed them to wait for more power from on high (the rest of the garments) (Luke 24:49). This is not just a one-time event, but a **daily** cleansing, sacrifice and empowering.

Jesus wants not only to wash you from your sins (John 13:8), but also to **clothe** and **fill** you with His Holy Spirit.

**Daily Garments of Priests 4 Things to "put on" in Scripture 4 Names of the Holy Spirit**

1. Breeches ('miknac')	put on <b>LOVE</b> (1 Thessalonians 5:8)	Spirit of <b>GOD</b> (GOD=LOVE) (1 John 4:2,8)
2. Tunic ("kuttoneth")	put on <b>FAITH</b> (1 Thessalonians 5:8)	Spirit of <b>FAITH</b> (2 Corinthians 4:13)
3. Sash ("abnet")	gird loins with <b>TRUTH</b> (Ephesians 6:14)	Spirit of <b>TRUTH</b> (John 14:17, 1 John 4:6)
4. Bonnet or Cap ("migbaah")	clothe mind with <b>HUMILITY</b> (1 Peter 5:5)	Spirit of <b>MEEKNESS</b> (1 Corin. 4:21, Gal. 6:1)

**9 High Priest Garments 9 Things to "put on" 9 Corresponding Names of God**

1. Breeches ("miknac")	put on <b>CHARITY</b> (LOVE) (Colossians 3:14)	God of <b>LOVE</b> (2 Corinthians 13:11)
2. Tunic ("kuttoneth")	put on shield of <b>FAITH</b> (Ephesians 6:16)	God of <b>FAITH</b> (Deuteronomy 7:9)
3. Sash ("abnet")	gird loins with <b>TRUTH</b> (Ephesians 6:14)	God of <b>TRUTH</b> (Psalm 31:5)
4. Ephod ("ayfode")	put on garment of <b>PRAISE</b> (Isaiah 61:3)	God of <b>EXCEEDING JOY</b> (Psalm 43:4)
5. Girdle ("chasheb")	be arrayed with <b>GLORY</b> (Job 40:10)	God of <b>GLORY</b> (Acts 7:2, Psalm 29:3)
6. Breastpiece ("koshen") (with Urim & Thummin)	be clothed with <b>STRENGTH</b> (Prov. 31:25, Is. 51:9) (with integrity & intelligence)	God of <b>STRENGTH</b> (Psalm 81:1) (majesty & excellency-Job 40:10)
7. Robe ("meheel") (with bells & pomegranates)	robe of <b>RIGHTEOUSNESS</b> (Eph. 6:14, Is. 61:10) (with gifts of Romans 12:6-8 & fruits of Galatians 5:22)	God of <b>RIGHTEOUSNESS</b> (Isaiah 45:21)

"Awake! Awake! Put on thy strength, O Zion, **put on thy beautiful garments**, O Jerusalem, the holy city..." (Isaiah 52:1)

Warning: *Horoscope signs counterfeit and malign each of the 12 personalities of the tribes. Astronomy is God's plan revealed in the heavens, astrology is blasphemy (Isaiah 47:13-14). Like Ishmael and King Saul, counterfeits always precede God's Anointed.*

**\*2 Rows of Bread**

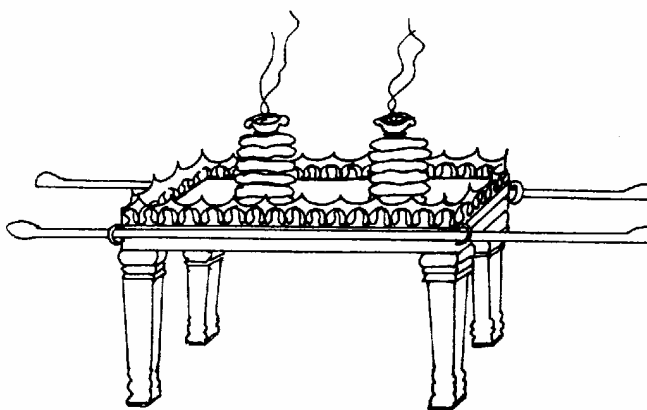
The significance of the 2 rows of bread was that spiritual Israel, like natural Israel, divided into two parts. Both fell into idolatry.

In Daniel 2, man-made governments are represented by a statue. The legs represent Rome. The western leg (under Roman Catholicism) persecuted the Jews and a refuge was made for them in the New World. When the eastern leg (under the Orthodox Church) persecuted the Jews 400 years later, they were given another refuge--their own nation.

Gentiles have been grafted into Israel by faith (Romans 11), and help make up the **12 Spiritual Tribes of Israel**. But they have a sister, **Dinah** (meaning "judgment"), signifying unbelieving natural Jews. These "brethren" of Jesus **will also be**

There was a drink offering (libation) on this Table with the bread (Numbers 28:7) representing the shedding of blood (Phil. 2:17, Hebrews 12:4). It was

*Come & Dine!*



**Table of Shewbread**

(Exodus 25:23-30 35:13 39:36, Leviticus 24:5-9)

**\*\*The 13th Tribe**

There are concentrations of the spiritual tribes in geographic areas. For instance, the U.S.A. has a Josephite calling. They were estranged from their brethren (European & African), betrayed and later rose to a position of power in order to **feed the world** in time of famine. In fact, the name "Joseph" was so common in U.S. history that Americans abroad are still called "Joes." The 2 factions within the U.S. that arrived simultaneously were: Manassehites (pilgrim crossbearers) and Ephraimites (ambitious merchants). Manasseh will be given Joseph's name (Numbers 13:11) but **Ephraim falls into idolatry** (Hosea 4:17).

[Dan ("to judge") is replaced by Manasseh ("to forgive")]

Footnote: This Communion may well be the Wedding Feast of Matthew 22. It is an earthly feast of spiritual food that prepares the Bride (Revelation 19:7-9). It precedes the consummation (as in Genesis 29:22-23). In the parable, busy people ignore it and one is thrown out for not having a proper garment (probably a cap). *The cap, representing humility, is required in the Holy Place. (see page 4)*

The Bronze Laver represents the CLEANSINGS necessary because of your flesh nature. The Laver, made from bronze mirrors, was where the priests washed. The Laver **water represents the REVEALED** Word of God, the mirror through which we see our uncleanness and are bathed in His Word (Hebrews 10:22, James 1:23-25, Ephesians 5:26).

Blood sprinklings are also a part of purification, consecration and atonement ceremonies. Since blood speaks eternally (Hebrews 12:24, Genesis 4:10), **blood represents the SPOKEN** Word of God (Romans 10:10). *The Rock that Moses struck (Numbers 20:8-12) represented Christ (1 Corinthians 10:4). Our power now is the spoken Word.*

Oil sprinklings are a part of consecration and purification (including purification from sickness-see Psalm 107:20, Exodus 15:26). **Oil** is still used for these (Mark 6:13, James 5:14) because **oil represents the APPLIED** Word of God.

III. **Baptisms** (Washings) (Matthew 3:11, Mark 1:8, Luke 3:16, John 1:33)

**Resurrection from the Dead** was demonstrated by the:

- A. **Water baptism** for Repentance (3-part) (1 John 5:4-8)
  - 1. with the Blood: *Statute of Purification* (Leviticus 14)  
(Jesus was baptized under water--Matthew 3:16)
  - 2. with the Word: **Water of Separation** (Holy Water\*) (Num. 19)

**STATUTE** of Purification (Leviticus 14)  
1 Dove (*Jesus*) is killed under running water in the LAVER  
2nd Dove (*believer*) is dipped in its blood and set free

- 4) B. **Spirit baptism** Clothed with 9 Priestly Garments (Acts 7:55-56)  
**Laying on of Hands** (Acts 8:17) was demonstrated by the:  
with the Spirit: **Water of Consecration** (Numbers 8:7)  
*Statute of Consecration* (consecration means "filling")  
Holy Anointing Oil\*\* consecrates (ordains) for service  
(Saul/Paul was filled with the Holy Ghost--Acts 9:17)  
(Paul laid hands on others, they received--Acts 19:6)

- 3. with the Spirit: Clothed with 4 Priestly Garments (*see page*

**STATUTE** of Consecration (Leviticus 8:18-36)  
hands are laid on 1 Ram (*Jesus*) for sin offering  
hands are laid on 2nd Ram (*priest*) for "filling" offering

- C. **Fire baptism** (3-part) (Jesus was baptized in suffering-Luke 12:50)

**STATUTE** of Atonement (Leviticus 16)  
hands laid on 1 Goat (*believer*) offered on the ALTAR to God  
sins laid on 2nd Goat (*unbeliever*) driven away from God's own

These 3 baptisms were foreshadowed by the **STATUTES of 3 Feast times of Israel** (Exodus 23:14-17, Leviticus 23, Numbers 28:16-29:40 Deut.16).

**\*The Will (in perspective)**

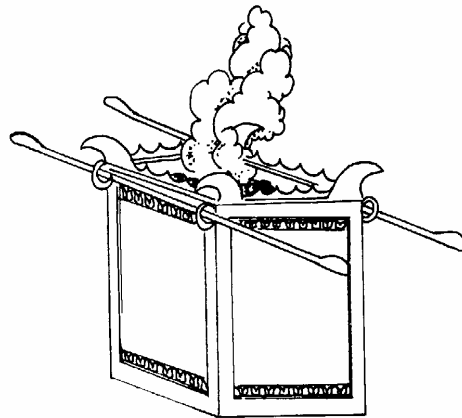
In the Outer Court, our **bodies** are offered up at the Altar, cleansed at the Laver and clothed with power.

In the Holy Place, our **minds** are continually filled by the Holy Spirit at the Golden Lampstand. At the Table of Shewbread, our God-given **emotions** commune with and nourish others. Finally, our **WILL** triumphs over pride and we break forth, worshipping unashamedly at His Altar. Just as Christ has 4 ministries, (revealed in the 4 gospels) we also have 4 ministries: we are **His sons** (partaking of His nature at the Lampstand), **His body** (together at the Table), and **His royal priesthood** (making intercession for others at the Altar of Incense).

We are adorned as **His Bride** (to be seated with Him) in the Holy of Holies (bridal chamber) where our **spirit**

"And when he had taken the Book, the 4 beasts and 24 elders fell down before the Lamb, having every one of them harps, and golden vials full of odors (incense),

**Worship!**



**Altar of Incense**

(Exodus 30:1-10, 31:8, 35:15, 37:25-29, 39:38, 40:5, 26, Leviticus 4:7, 10:1, 16:12-13, Numbers 4:11,16, Revelation 6:9, 8:3-5)

**\*\*Praise the Lord:**

(12 ways)

- by being happy (Psalm 105:3)
- by bowing & kneeling (Ps. 95:6)
- by clapping hands (Psalm 47:1)
- by dancing (Psalm 149:3)
- by exalting (boasting of God) (Psalm 118:28)
- by publically giving testimony (Psalm 22:22)
- by leaping (2 Samuel 6:16)
- by lifting hands (Psalm 141:2, Lam. 3:41)
- by playing on stringed instruments (Psalm 33:2-3)
- by running (Psalm 18:29)
- by singing (Psalm 96:1)
- by shouting for joy

Footnote: Hebrews 9:2-5 indicate that this Altar was within the Holy of Holies. But in Exodus 40:2-5, it was placed in the Holy Place, near the veil. Tradition holds that once a year, on the Day of Atonement, the Golden Altar was moved inside the Holy of Holies. Hence, the soul and spirit become

The Ark of the Testimony (or Covenant) represents the TESTIMONY within **our spirit**. The authority God gives His redeemed, sanctified Church is: His Word made flesh, **Jesus** (represented by Manna), His **Holy Spirit** resurrection power (represented by Aaron's rod that budded) and His own **Legal Authority** (the 10 Commandments). If these reside within your spirit, you can overcome the enemies of God. Overshadowing you are the 2 Cherubim.\*

With the information of their character given in the 10 Commandments, the blood covering of Jesus and the indwelling power of the Holy Spirit, we can bind the 10 ruler spirits\*\* of darkness (the unholy trinity & the 7 unclean spirits) daily on our 10 fingers (Deuteronomy 6:6-8 & Matthew 18:18). These 10 are the **root** source of all suffering.

**10 Commandments** (Exodus 20, Deuteronomy 5) **of Health & Life** (Proverbs 3:1-2)

10 Laws to <b>KEEP</b> :	10 Ancient Strongholds**	10 Ruler Spirits to <b>BIND</b>
Stay out of <b>bondage</b> to "gods"	Kenite (" <i>fixed</i> ")	the <b>Dragon</b> (Oppressor, Tyrant...) (Revelation 20:2, Isaiah 51:13)
No images or <b>iniquity</b> visits	Kenizzite (" <i>hunter</i> ")	the <b>False Prophet</b> (Wickedness, Iniquity...) (Revelation 20:10, Zechariah 5:7-11)
Don't <b>blaspheme</b> , or else	Kadmonite (" <i>easterner</i> ")	the <b>Beast</b> (Scorner, Scoffer...) (Revelation 20:10, Proverbs 21:24)
<b>Work</b> 6 days, <b>rest</b> ( <i>fast?</i> ) on 7th 9:11)	Hittite (" <i>breakdown</i> ")	the <b>Destroyer</b> (Abaddon, Apollyon...) (Job 15:21, 1 Corinthians 10:10, Revelation 9:11)
<b>Honor</b> your parents and live	Perizzite (" <i>separated</i> ")	the <b>Accuser</b> (Adversary...) (Job 31:35, Revelation 12:10)
Do not <b>murder</b>	Rephaim (" <i>death</i> ")	<b>Death</b> (Reaper...) (Job 28:22, Habakkuk 2:5, 1 Corinthians 15:26, Revelation 20:14)
Do not commit <b>adultery</b>	Amorite (" <i>boast</i> ")	the <b>Adulteress</b> (Harlot, Whore, Loose Woman...) (Proverbs 5:3-14, Revelation 19:2)
Do not <b>steal</b>	Canaanite (" <i>merchant</i> ")	the <b>Thief</b> (Devourer...) (Malachi 3:11, John 10:10)
Do not bear <b>false witness</b>	Girgashite	the <b>Liar</b> (Deceiver...) (Job 12:16, John 8:44, 1 John 2:22)

These 10 spirits counterfeit the Holy Trinity and the 7 Spirits of God. (The beast doubles as one of the 7 spirits-Revelation 17:11). The **dragon** possessed Pharaoh Neco of Egypt (Ezekiel 29-31). The **beast** possessed King Nebuchadnezzar of Babylon (Isaiah 14) and the **false prophet** possessed King Eshbaal of Tyre (Ezekiel 28), Jezebel's father. In the Old Testament there are 3 "dinosaur-like" creatures named: **Leviathan**, ("twisted one") (Job 41:1-34, 3:8 (*in the KJV leviathan is translated "mourning" here*), Psalm 74:14, 104:26, Isaiah 27:1, 51:9), **Behemoth** ("beast" or "animal") (Job 40:15-24) and **Rahab** ("proud") (Job 26:12, 9:13, Ps. 87:4, 89:10, Is. 30:7, 51:9). (*This is not the Rahab mentioned in Joshua 2, Matt. 1:5, Heb.11:31 and James 2:25.*)

**Attitude**

- II. **Faith towards God** represented by the
  - A. Faith with works (blood offerings) (James 2:24)
    1. with brokenness (Luke 15:17-21, Psalm 51:17)
    2. with sincerity & truth (no malice) (1 Corinthians 5:8)
    3. with God's grace (Colossians 4:6, James 4:6)
    4. with prayer (Psalm 141:2)
    5. with understanding (light) (Exodus 25:6, Ephesians 4:18)
    6. tried in sorrow (2 Corinthians 7:9-10)
  - B. Faith without works (no blood offering) (James 3:8-14)
    1. with bitterness (James 3:8-14, Hebrews 12:15)
    2. without understanding (Ephesians 4:18)
    3. without prayer (James 4:2)

**LAW**

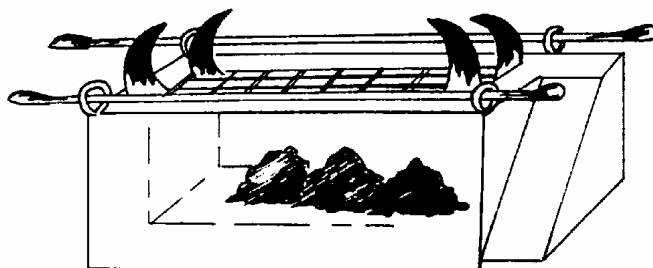
**2 DIFFERENT BREAD OFFERINGS:**

- Memorial Meat (**GRAIN**) OFFERING (Leviticus 2, Ezekiel 36:31)
  - made of fine flour (*crushed* wheat) (Leviticus 2:1)
  - unleavened (Leviticus 2:4, 11)
  - salt added (Leviticus 2:13)
  - frankincense added (Leviticus 2:1)
  - oil added (Leviticus 2:5)
  - baked in the fire (Leviticus 2:2)
- Memorial **GRAIN** OFFERING OF JEALOUSY (Numbers 5:15)
  - made of barley flour (a *coarse* grain)
  - no oil
  - no frankincense

**\*Burnt Offerings**

pre-date the Law of Moses.  
 We are not under the Law of Moses, nor was Abraham, but in Genesis 22, he brought his son to an altar of burnt offering and in Genesis 14, he took communion and paid tithe.  
 In fact, in Genesis 26:5 God says that Abraham kept His commandments, laws and statutes, *400 years before they were written.*  
 Hebrews 10:16 and

**Repent!**



**Bronze Altar of Burnt Offering**

(Exodus 27:1-8, 28:43, 29:12-44, 30:1,18,20,28, 31:9, 35:16, 38:1-7,30, 40:10,29,32-33, Leviticus 1:5,7,8-9,11-17..., Deuteronomy 33:10)

**\*\*The Tithe**

(10% of crops, herd and flock) was saved up and eaten (or traded for cash) 3 times a year at the spring, summer and fall feasts (Deuteronomy 14:22-29, 16:16)  
 However, every 3rd year (**Year of The Tithe**) a family would stay home and at the end of that year (in Sept/Oct) bring ALL their savings (tithe) to the storehouse to be distributed to priests, foreigners, orphans & the widows in their own town

The Golden Lampstand (Menorah) represents the infilling of the 7-fold HOLY SPIRIT to renew the **mind**.\* The Lamp was kept full of burning olive oil. The Old Testament priests could understand some things about the Holy Spirit by the **DESIGN** of the Golden Lampstand within the Holy Place. They could observe that it had **7 spouts** (3 branches with a center shaft). If they had looked in the Laver mirror, they could have seen that their own heads had **7 holes** arranged much the same way (1 mouth, 2 ears, 2 nostrils, 2 eyes). Knowing they were made in God's image, they could deduce that God also has 7 ways of receiving and transmitting information upon the earth (Zechariah 4:10, 2 Chronicles 16:9).

Four hundred years later, Solomon identified **7 abominations (deadly sins)** that lie dormant (or active) in every living soul (Proverbs 6:16-19). The Law had addressed these, but only the Spirit could remove them (Hebrews 10:22).

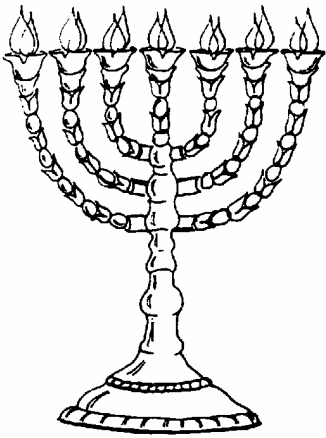
One of the STATUTES of sacrificial purification was the **7-fold sprinkling of blood** (Leviticus 4:6,17, 14:7, 16:14,15,19, Numbers 19:4) **and oil** (Lev. 8:11, 14:16,27). The first represented the blood of Messiah, shed 7 times to make atonement for man's 7 sins. The oil sprinkling that followed represented the anointings of the 7-fold Holy Spirit.

<p><b>7 Blood Sprinklings</b> for <b>7 Abominations</b> (Lk. 22:44, John 19:1,2,3,18,34, Mk. 15:19) (Proverbs 6:16-19)</p> <table style="width: 100%; border: none;"> <tr> <td style="width: 50%;">                 head beaten                  sweat blood + beard plucked                  side pierced + crucified                  scourged + brow pierced             </td> <td style="width: 50%;">                 haughty eyes                  bloody hands + lying tongue                  restless feet + wicked heart                  discord maker + false witness             </td> </tr> </table> <p><i>(Jesus blood provides healing in all 7 defiled body systems: nervous, circulatory, glandular, muscular, digestive, respiratory &amp; skeletal)</i></p>	head beaten sweat blood + beard plucked side pierced + crucified scourged + brow pierced	haughty eyes bloody hands + lying tongue restless feet + wicked heart discord maker + false witness	<p><b>7 Oil Sprinklings</b> for <b>7 Anointings</b> (7-fold Holy Spirit-Isaiah 11:2-3) (2 Peter 1:5-9)</p> <table style="width: 100%; border: none;"> <tr> <td style="width: 50%;">                 Spirit of the Lord                  Understanding + Wisdom                  Strength + Counsel                  Fear of the Lord + Knowledge             </td> <td style="width: 50%;">                 Charity                  Self-control + Virtue                  Godliness + Brotherly Love                  Patience + Knowledge             </td> </tr> </table> <p><i>(The Holy Spirit provides deliverance in the 7 trials of life: famine, war, scourge, destruction, beasts, turmoil &amp; loss--Job 5:19-26 &amp; Romans 8:35)</i></p>	Spirit of the Lord Understanding + Wisdom Strength + Counsel Fear of the Lord + Knowledge	Charity Self-control + Virtue Godliness + Brotherly Love Patience + Knowledge
head beaten sweat blood + beard plucked side pierced + crucified scourged + brow pierced	haughty eyes bloody hands + lying tongue restless feet + wicked heart discord maker + false witness				
Spirit of the Lord Understanding + Wisdom Strength + Counsel Fear of the Lord + Knowledge	Charity Self-control + Virtue Godliness + Brotherly Love Patience + Knowledge				

"When he speaketh fair, believe him not, for there are 7 abominations in his heart." (Proverbs 26:25)  
 "For a just man falleth seven times, and riseth up again..." (Proverbs 24:16a)  
 "The words of the Lord are pure words, as silver tried in a furnace of earth, purified 7 times." (Psalm 12:6)

Copyright © 1995, Ginger Guinn Shamblin  
 P. O. Box 22773, Knoxville, TN 37933

Published by Pinecrest Publications, (315) 429-8521  
 P.O. Box 320, Salisbury Center, New York 13454-0320

<p><b>*The Mind</b>                  If you overcome sin, bringing every thought captive to the obedience of Christ, though you body may die (1st death), your <b>mind</b>, will and emotions (soul) will not suffer the 2nd death (Revelation 2:11, 21:8). There shall be no unclean thoughts or feelings generated from those thoughts in the presence of a Holy God. So it is a wise eternal investment to <b>let your mind be renewed</b> by the Holy Spirit (James 1:21, Titus 3:5, Ephesians 4:23, Philippians 3:19).</p> <p>The 7 life principles that emerge from this process are pure gold in the life of a believer. The refining fire produces light (1 Peter 1:7). When Moses stood in the presence of God, his face shone (Exodus 34:29, 2 Corinthians 3:7-13).  <i>When you let the Holy Spirit</i></p>	<p>"...and there were 7 lamps of fire burning before the throne, which are the 7 spirits of God." (Revelation 4:5b)</p> <p><b>Be Filled!</b></p>  <p><b>Golden Lampstand</b>                  (Exodus 25:31-40, 27:20, 30:7-8, 35:14, 37:23, 39:37, 40:4, Lev. 24:2-4, Numbers 4:9, 8:1-4, Zechariah 4:2)</p>	<p><b>Coded quotes to 7 Churches</b></p> <ol style="list-style-type: none"> <li>1) Rev. 2:1 "...He that holdeth the 7 stars" (from Amos 5:8. In Amos 6-9 the <b>Day of the Lord begins</b>) "...Who walketh in the midst of 7 golden candlesticks" (from Zech. 4:2,10. In Zech. 5-6: <b>a scroll &amp; 4 horses</b>)</li> <li>2) Rev. 2:8 "...the first and last..." (from Isaiah 48:12. Is. 48:20 says <b>flee Babylon</b>) "...which was dead and is alive..." (from Isaiah 26:19. Verse 20: <b>hide for awhile.</b>)</li> <li>3) Rev. 2:12 "...He which hath the sharp sword with 2 edges..." (from Joshua 5:13. In Joshua 6: <b>seven trumpets blow</b>)</li> <li>4) Rev. 2:18 "...the Son of God, Who hath eyes like unto a flame of fire &amp; His feet like fine brass" (from Daniel 10:6,9: <b>prayer, fasting, deep sleep, revelation given</b>)</li> <li>5) Rev. 3:1 "...He that hath the 7 Spirits of God and the 7 stars..." (from Isaiah 11:2-3. In Isaiah 11: <b>millennial reign of peace</b>)</li> <li>6) Rev. 3:7 "... He that is Holy, He that is true, He that hath the Key of David..." (from Isaiah 22:22: the <b>seige of Jerusalem</b>)</li> <li>7) Rev. 3:14 "...the Amen" (Numbers</li> </ol>
--	--	--

Footnotes: Of the 3 words for God in Hebrew (Adonai, Yehovah and El), only one is used in the plural, **El**. It becomes **Elohim**. Interestingly, it is the root of the word Elah (or Allah) which is sometimes translated "oak tree." You might have noticed that the leaf of an oak forms a miniature Menorah, with either 7 or 9 points. Also, there are 7 specific oak trees mentioned in scripture (Genesis 35:4,8, Joshua 24:26, Judges 6:11, 2 Samuel 31:13, 18:9, 1 Kings 13:14).

The 7 colors of the rainbow are another revelation of God's 7 Spirits. From them, we get the 3 primary light rays (the seeable yellow ray, the

The Golden Altar of Incense represents the **will\*** of the believer expressing itself to God. At this altar, effective INTERCESSION is made for others. The incense that was to perpetually burn on this altar was comprised of 4 salted spices. Salt, used as a seasoning, represents God's grace (Colossians 4:6). Because of the addition of the grace of God (His favor), the **petitions** of His spiritually circumcised people that agree with the revealed character of His Son are given entryway to the Father through gates of thanksgiving and courts of praise (Psalm 100:4).

When a certain amount of these petitions reach the Father, action is taken to remove injustice from the land (Revelation 8:4-6, Genesis 18:20-21). This may involve loosing the destroyer for a season. So when you intercede to the Father, do so with fear and trembling, knowing that mercy and justice (the goodness and severity of God--Romans 11:22) go hand in hand. And **never** judge another person or become their **accuser** (Acts 13:9-11, James 3:10) lest the judgment you speak come upon you also (Gal. 4:13-15, Matt. 7:1). Instead, recognize the evil one and bind **him**. (see page 8)

**4 Salted Spices**

(Exodus 30:34-38) (*hebrew word*)

- Onycha** ("*shecheleth*")  
(a spice that comes from a shell)
- Frankincense** ("*lebonah*")  
(translated "incense" in Psalm 141:2)
- Stacte** ("*nataph*")  
(translated "planteth" in Proverbs 31:16)
- Galbanum** ("*chelbenah*")

**4 Elements of Effectual Intercession**

(Deut. 26:19, Jer. 13:11) (*hebrew word*)

- HIS PEOPLE** ("*am*")  
(Romans 2:29)  
offering **HIS PRAISES\*\*** ("*tehillah*")  
(Psalm 119:164)
- invoking **HIS NAME** ("*shem*")  
(Name=Word, Rev. 19:13)  
for **HIS GLORY** ("*tipherah*")

explanation

- Those circumcised by the Holy Spirit  
(Colossians 2:11, Philippians 3:3)  
worshipping the Father (in spirit & truth)  
(John 4:23, Psalm 150)
- speaking forth His Word (activating angels)  
(John 14:14, Psalm 103:20)  
to increase His Kingdom on earth.

The fire on this altar was kindled from the bronze altar of repentance. When your energy (fire) is kindled from repentance, you can make effectual intercession for the sins of others (Daniel 9:3-19, Job 42:6,10, Exodus 32:31-32). The "strange fire" of Leviticus 10 refers to energy that is **not** "kindled" or motivated by **repentance**. It only consumes the petitioner.

"Then **I will sprinkle clean water upon you**, and ye shall be clean; from all your filthiness, and from all your idols, will I cleanse you. A **new heart** also will I give you, and a **new spirit** will I put within you; and I will take away the stony heart out of your flesh, and I will give you an heart of flesh. And **I will put my spirit within you**, and cause you to walk in my statutes and ye shall keep my judgments and do them.

And ye shall dwell in the land that I gave to your fathers; and ye shall be my people, and I will be your God. I will also save you from all your uncleannesses; and I will call for the corn, and will increase it, and lay no famine upon you. And I will multiply the fruit of the tree, and the increase of the field, that ye shall receive **no more reproach of famine** among the heathen (Ezekiel 36:25-30).

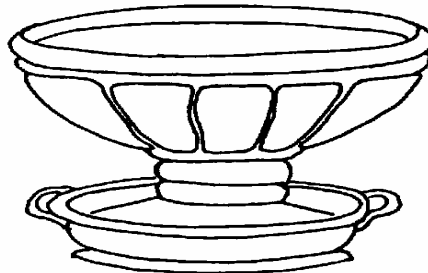
**\*Holy Water**

The Messiah was depicted in 8 specific things to the wandering Israelites: a **Lamb** (whose blood saved them), a **Tree** (that made bitter water sweet), a **Cloud** (that protected them), **Manna** (which fed them), a **Rock** (out of which came gushing water), a **Red** (which the elements obeyed), a Bronze **Serpent** (impaled on a stick), and a **Red Heifer**.

The Red Heifer (Numbers 19:2-22) represented the flesh of Jesus. It was totally consumed and its ashes put in water to make Holy Water. Unlike the Holy Oil, which is only used on the priesthood, the Holy Water cleanses **anyone**. Since Jesus was the Word made flesh (John 1:14), teaching the **Word**

"If I wash thee not, thou hast no part with me." (John 13:8b)

*Be Washed!*



**Bronze Laver of Washing**

(Exodus 30:18-21, 31:9, 35:16, 38:8, 39:39, 40:7,11,30, Lev. 8:11)

**\*\* Holy Anointing Oil**

(Exodus 29:7, Leviticus 8:12, 21:10) was used only on one BORN (1 Peter 1:3, 23) into the priesthood. It is made up of 5 ingredients. (Exodus 30:22-33) Oil can be: medicinal ointment, lubricant, cosmetic, purgative and a source of energy. The Holy Oil is multi-functional: myrrh brings **joy in sorrow** (Proverbs 27:9) cinnamon brings **unity** (Psalm 133:1-2) calamus (sweet cane) is for **boldness** (Acts 4:31) cassia is for **correction** (Psalm 141:5) & olive oil is for **healing** (Mark 6:13)

Footnote: The earth was baptized in **Water** in Genesis 7. (*The center of the earth was opened to put immortal fallen angels within until the judgment. Prior to this, they intermarried with mankind. The flood caused instant fossilization, sediment layering, etc...and atmospheric changes that shortened lifespans and probably wiped out the dinosaurs.*) The earth is now being baptized in the **Holy Spirit**. It will eventually be baptized in **Fire** (2 Peter 3:7).

The Table of Shewbread represents the **emotional** part of the believer: the personality. The **STATUTES** requiring 12 loaves of bread on a gold-crowned table, divided in 2 rows\* with frankincense between (Leviticus 24:6-7) represents the 12 **Spiritual TRIBES OF ISRAEL** and their different personalities. When you receive the Jewish Messiah, **Jesus**, and partake of His Communion (**His Word & His Spirit**) you are grafted into Israel (Romans 11:17) and become part of a tribe (or tribes) of Israel. This is the true church (Galatians 6:16). (*Exodus 28:17-21 and 39:10-14 list tribal gemstones.*)

There are 12 gates to the Holy City (Revelation 21:12), and none of them are marked "Gentile." The age of the Gentiles is over (Luke 21:24) and true believers will look more and more "Jewish" because our Lord was and **IS a Jew**.

**12 "Loaves" = 12 Spiritual Tribes of Israel (the Church)**

<b>12 tribes (Gen. 30, 49, Dt. 33)</b>	<b>12 divisions of mankind (Deuteronomy 32:8)</b>	<b>tribal animal (see Job 39)</b>	<b>some scriptural examples of each tribe:</b>
<b>6 blessing tribes (Dt. 27:12)</b>	<b>(study the physical tribes of Israel in scripture)</b>		
Simeon ("to hear")	a doer, zealous, sensitive to surroundings, perceptive	hawk	Simeon (Luke 2)
+Levi ("to cling to")	a puritan, a loner, cautious, single-minded, sheltered	horse (Zech.14:20)	John the Baptist (Matt. 3)
Judah ("lifted hands")	a trend-setter, shrewd, determined, verbal, enterprising	lion (Gen. 49:9)	David (1 Samuel)
Issachar ("hired" & "reward")	a laborer, loves the land, understands the times, stubborn	ass (Gen. 49:14)	Tola (Judges 10)
Joseph ("to provide")	a good provider, loyal, dependable, overcomes rejection	ox/unicorn (Dt. 33:17)	Joseph (Genesis. 39-45)
**13th tribe: Joseph's sons Manasseh ("to forgive") and Ephraim ("doubly fruitful") are given his birthright (Genesis 48:14-22).			
Benjamin ("right hand son")	a persuader, popular, adventurous, spoiled, has favor	wolf (Gen. 49:27)	Esther
<b>6 warning tribes (Dt. 27:13)</b>			
Reuben ("see, a son")	a reasoner, tender conscience, organizer, overcomes failure	man/raven	Reuben (Genesis 37)
Gad ("a troop" & "lucky")	a "mountain mover," independent, bold, protective	lioness (Deut. 33:20)	Elijah (1 Kings 17-21)
Asher ("happy")	a "child-at-heart," oblivious to danger, devoted, enthusiastic	ostrich or stork	Anna (Luke 2)
Zebulun ("to abide")	an obstacle climber (heights & depths), creative mind	mt. goat (ibex)	Elon (Judges 12)
++Dan ("to judge")	a builder, judgmental, determined, creative with hands	lion/adder/eagle	Oholiab (Exodus 31)
Naphtali ("to wrestle")	a mediary, longsuffering, nurturing, avoids confrontation	doe (Gen. 49:21)	Barak (Judges 4)
+Levi is divided into 3 groups: Kohathites, Gershonites and Merarites (see Numbers 4 and 1 Chronicles 23,25,26)			
++Dan is called a lion cub in Deuteronomy 33:22, a snake in Genesis 49:17, but historically, his emblem became an eagle.			

"For he is not a Jew, which is one outwardly...but he is a Jew, which is one inwardly..." (Romans 2:28-29)

**\*Nakedness**

The first thing Adam and Eve noticed when they "died" (spiritually) was their nakedness. In all of Noah's long life, the only events recorded are the flood, (understandably) and his getting drunk, lying naked and being exposed. It was apparently very important to the author of the Bible (the Holy Spirit) that we know about both incidents. That's because drunkenness (*from alcohol or drugs*), and disobedience, **cause nakedness** (*meaning fleshliness wide open to demonic influence*).

However, since the sons of Noah were able to cover him, we know that it is possible to cover the nakedness of another (*with love-1 Peter 4:8*).

*Holy garments replace (Zechariah 3:4-5) other garments, like: violence (Psalm 73:6), shame (Micah 7:10, Job 8:22), cursing (Psalm 109:18), anger (Lamentations 3:43), horror (Ezekiel 7:18), confusion (Jeremiah 3:25), reproach (Psalm 71:13), vengeance (Isaiah 59:17), darkness (Psalm 139:11), and the shadow of*

"Behold, I come as a thief. Blessed is he that watcheth, and keepeth his garments..." (Revelation 16:15)

*Be Clothed!*



**Holy Garments** (Exodus 28, 39)

**\*\*12 Crowns:**

- Crown of **Anointing Oil** (Leviticus 21:12)
- Crown of **Glor**y (Psalm 8:5, 1 Peter 5:4)
- Crown of **Honor** (Psalm 8:5, Hebrews 2:9)
- Crown of **Joy** (1 Thessalonians 2:19)
- Crown of **Knowledge** (Proverbs 14:18)
- Crown of **Life** (James 1:12)
- Crown of **Lovingkindness** (Psalm 103:4)
- Crown of **Tender Mercies** (Psalm 103:4)
- Diadem (Crown) of **Beauty** (Isaiah 28:5)
- Crown of **Riches** (Proverbs 14:24)
- Crown of **Righteousness** (2 Timothy 4:8)
- Royal Diadem** (Crown) (Isaiah 62:3)

*[Grandchildren (Proverbs 17:6), a godly wife (Proverbs 12:4) and gray hair (Proverbs 16:31) are also considered to be crowns.]*

"The night is far spent, the day is at hand: let us therefore cast off the works of darkness and let us put on the armour of LIGHT." (Romans 13:12)